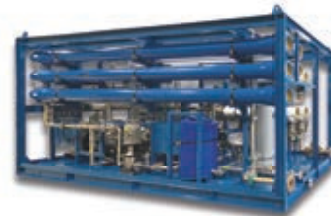
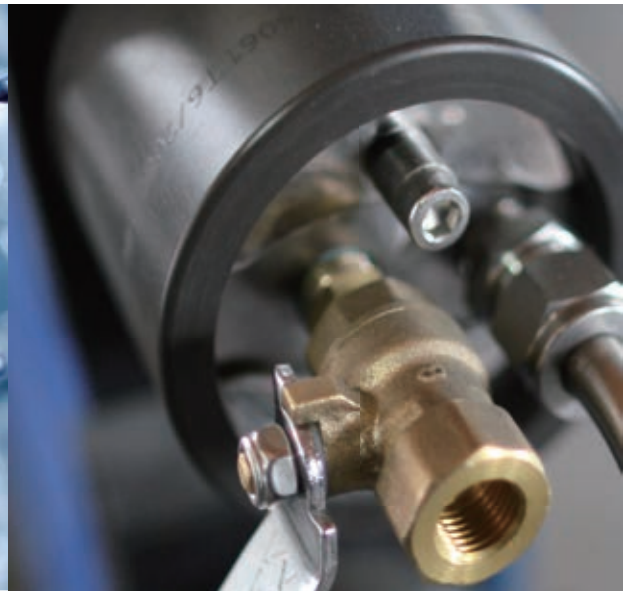


REVERSE OSMOSIS FRESH WATER GENERATOR



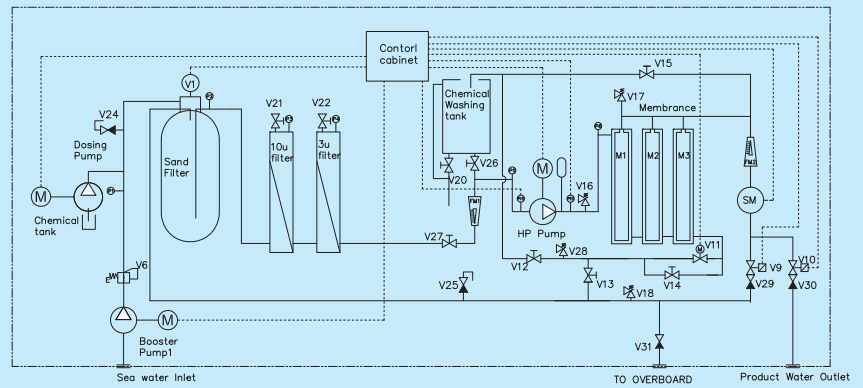
Reverse Osmosis Fresh Water Generator desalinates the seawater by making seawater pass the osmotic membrane at high pressure. The design makes fully as per requirement of marine and offshore applications. The units are widely equipped on platforms, working barges, support vessels of offshore industry. It's a reliable and economical way of potable water production for offshore staffs.

Features:

- Key components from well known brands
- Adapt to harsh working conditions
- Auto chemical washing device and fresh water replacement
- HMI with PLC controller for automatic control process



HANSUN 汉盛



Type	Capacity (T/Day)	Produced water salinity (ppm)	Dimension (LxWxH mm)	Weight (kg)	Total Power (kW)
HSR0-01F	1	≤500	1200x600x1000	260	2
HSR0-03F	3	≤500	1200x600x1000	270	2
HSR0-05F	5	≤500	1500x760x1070	330	5
HSR0-08F	8	≤500	1500x760x1070	350	5
HSR0-10F	10	≤500	1500x760x1070	370	5
HSR0-15F	15	≤500	1500x900x1835	800	9
HSR0-20F	20	≤500	1500x900x1835	830	9
HSR0-25F	25	≤500	1500x900x1835	850	9
HSR0-30F	30	≤500	1850x1250x2010	1250	13
HSR0-40F	40	≤500	1850x1250x2010	1350	13
HSR0-50F	50	≤500	1850x1250x2010	1350	13
HSR0-60F	60	≤500	2650x1350x2115	1700	22
HSR0-70F	70	≤500	2650x1350x2115	1700	22
HSR0-80F	80	≤500	2650x1350x2115	1800	22
HSR0-90F	90	≤500	2650x1350x2115	1850	22
HSR0-05FD	5	≤10	1500x760x1130	350	6
HSR0-08FD	8	≤10	1500x760x1130	370	6
HSR0-10FD	10	≤10	1500x900x1880	850	10
HSR0-15FD	15	≤10	1500x900x1880	900	10
HSR0-20FD	20	≤10	1850x1250x2030	1350	15
HSR0-30FD	30	≤10	1850x1250x2030	1400	15
HSR0-40FD	40	≤10	1850x1250x2030	1450	15
HSR0-50FD	50	≤10	2650x1350x2115	1800	25
HSR0-60FD	60	≤10	2650x1350x2250	1900	25
HSR0-70FD	70	≤10	2650x1350x2250	1950	25